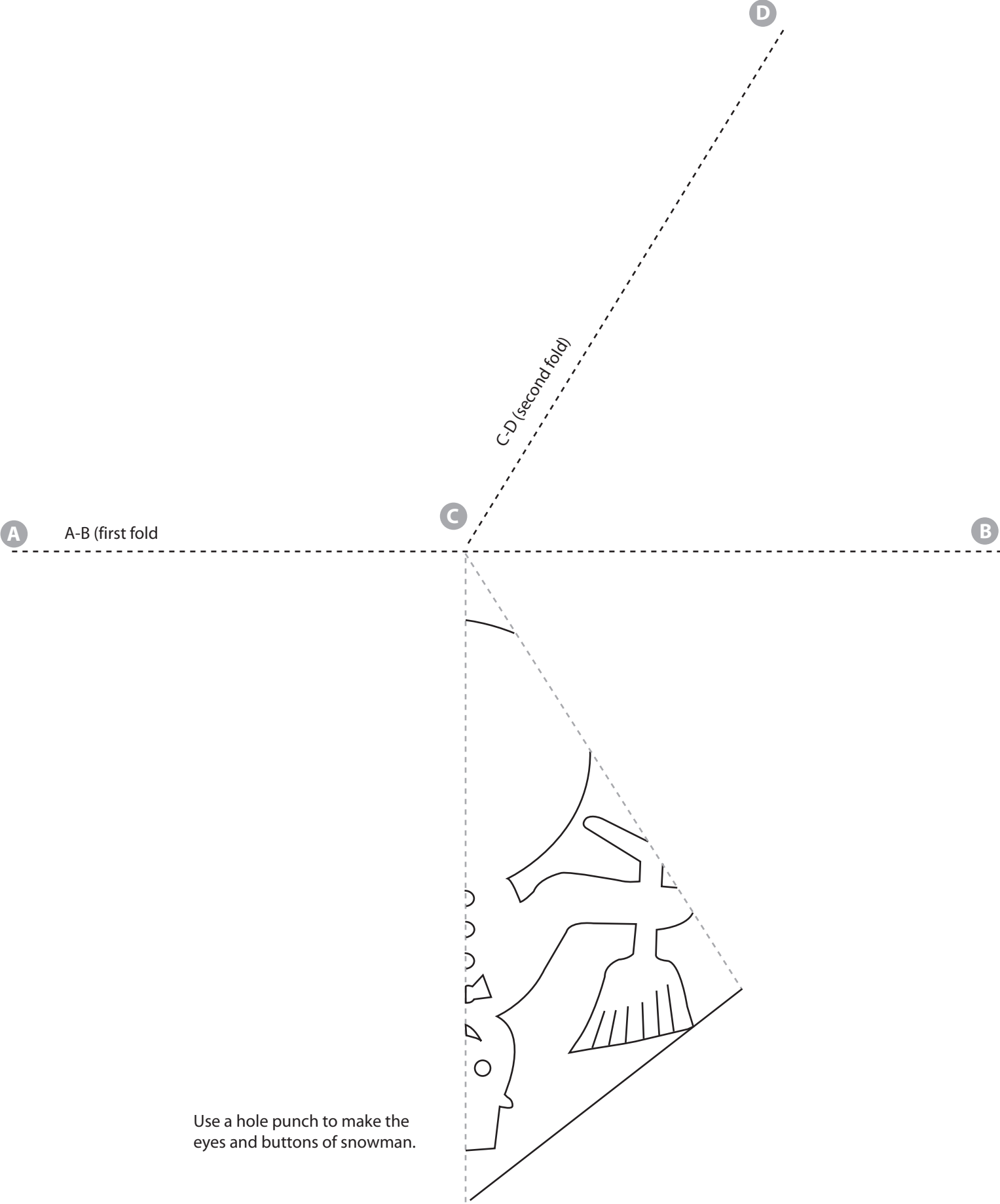


SNOWMAN SNOWFLAKE PATTERN



Use a hole punch to make the eyes and buttons of snowman.

Figure 1 • 1st Fold

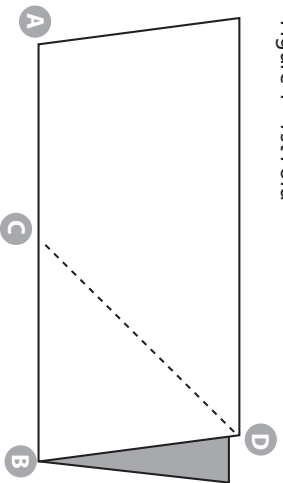


Figure 2 • 2nd Fold

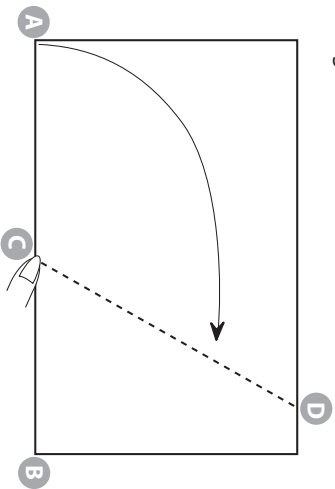


Figure 3 • 3rd Fold

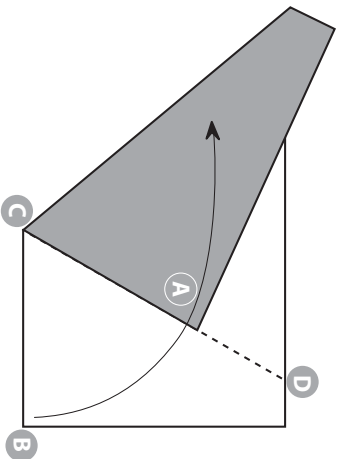
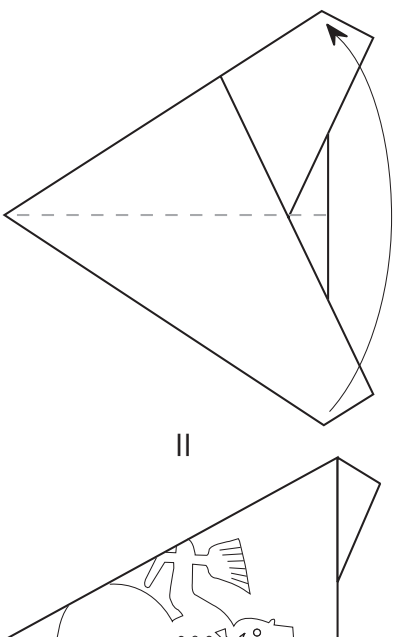
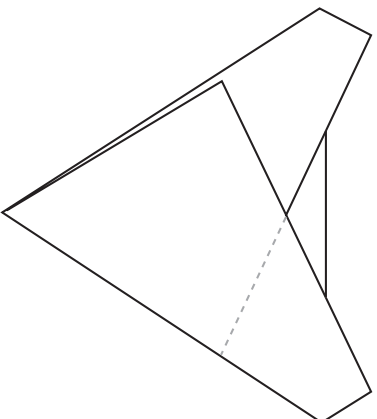


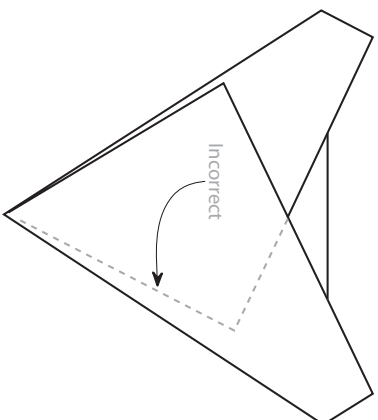
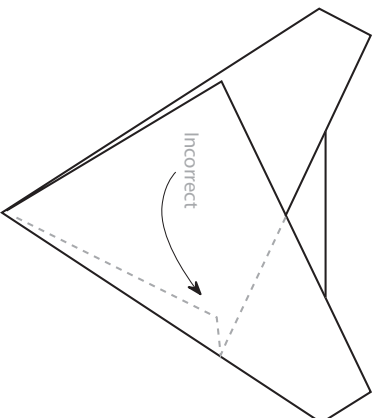
Figure 4 • 4th Fold



Correct fold



Incorrect folds



**FINISHED
SNOWMAN SNOWFLAKE**

